

LIGHTDROP

LIGHTDROP L - TAP AND SPLITTER 1:8

Aginode Ref: LDSFLA08HQQHQ01SC01TCDCNANANA

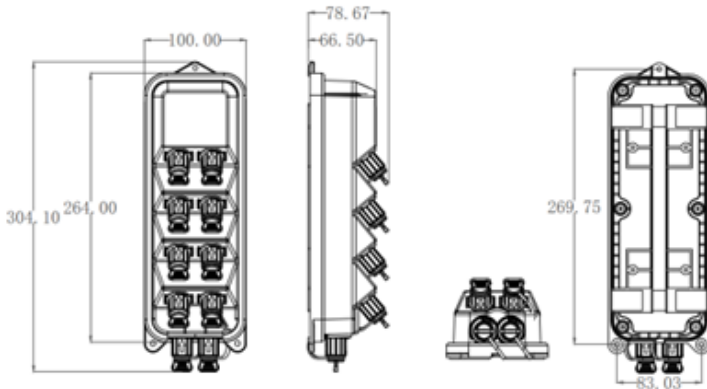
Featuring:

- 8 Hardened Quarter Turn (FastConnect compatible) front ports for customer connections (Ports 1 to 8).
- 2 Hardened Quarter Turn (FastConnect compatible) bottom ports for TAP IN and TAP OUT.
- Mounting bracket options for overlength cable storage.

Terminal max. attenuation*:

TAP ratio	TAP OUT	Splitter port
70% - 30%	2.3 dB	16.70 dB

*Total terminal attenuation, including insertion losses from pre-connectorization.



Aginode specification

All drawings, designs, specifications, plans and particulars of weights, size and dimensions contained in the technical or commercial documentation of Aginode is indicative only and shall not be binding on Aginode or be treated as constituting a representation on the part of Aginode.

LIGHTDROP L - TAP and Splitter 1:8

Characteristics

结构特性

颜色	黑
材料	PP

机械特性

IK Rating	8
-----------	---

使用特性

安装类型	户外
操作温度, 范围	-40...65 °C
包装	箱
RoHS compliant	Yes
抗UV	是
防水	IP 68

ABS 1642 Ind.A .pdf pdf — 2.5 MB [下载](#) ↓