

Facade - Distribution Cable

FACADE - DISTRIBUTION CABLE 96 FIBRES

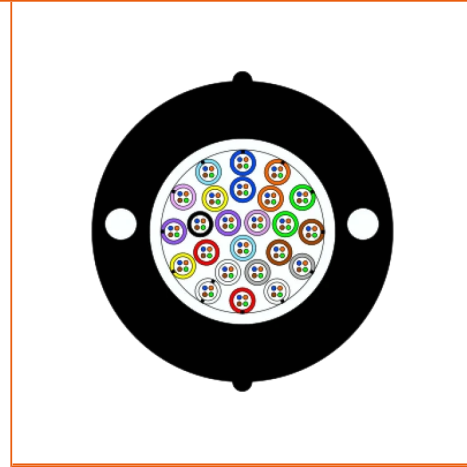
Facade - Distribution Cable 96 fibres

This cable SP1998 is suitable for facade applications in combination with our Walldrop façade distribution box.

It contains 24 units individually retractable for an in-line easy cabling.

Each unit contains 4 fibres.

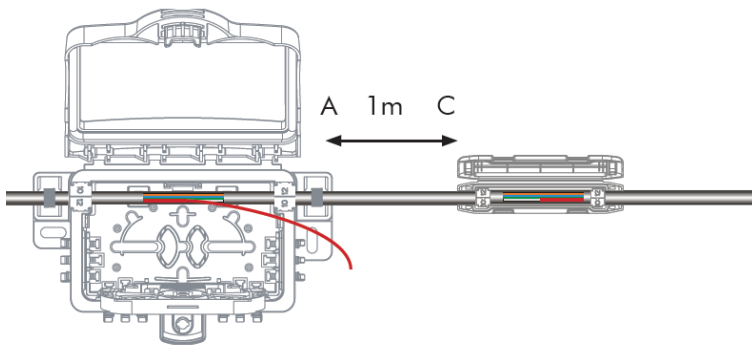
Soft UV resistant outersheath allows easy mid-span access to the units.



Characteristics

- UV resistant LSZH outersheath
- Radial Strength Members (Fibre Reinforced Plastic)
- Fully dielectric
- Watertight
- Extractible units containing 4 fibres @ 250µm
- Easy strippable fibre unit (30cm in one step)

In-line usage - pullback solution



All drawings, designs, specifications, plans and particulars of weights, size and dimensions contained in the technical or commercial documentation of Aginode is indicative only and shall not be binding on Aginode or be treated as constituting a representation on the part of Aginode.

Facade - Distribution Cable 96 fibres

Characteristics

结构特性

光纤类型	SM (G657.A2)
铠装类型	FRP
外护套	低烟无卤
不含金属	Yes
结构类型	多束管

尺寸特性

管数	24
近似重量	125 kg/km
光纤数	96
标称外径	11.8 mm

机械特性

操作时最大拉力负载	20.0 daN
抗冲击性能(IEC 60794-1-E4)	3次冲击/ N.M
允许牵引负载	50 daN
耐挤压 (IEC 794-1-E3)	50 N/cm

使用特性

操作温度, 范围	-30...60 °C
存储温度范围	-40...70 °C
安装类型	户外
环境安装温度, 范围	0...40 °C
敷设时弯曲系数	20 (xD)

文件

Leaflet Facade solution_En.pdf pdf — 4.29 MB [下载](#) ↓

销售和交付信息

All drawings, designs, specifications, plans and particulars of weights, size and dimensions contained in the technical or commercial documentation of Aginode is indicative only and shall not be binding on Aginode or be treated as constituting a representation on the part of Aginode.

Marking

Aginode - SP1859 - FIBRE OPTIC CABLE - XG65X - FB - N°of - metric

All drawings, designs, specifications, plans and particulars of weights, size and dimensions contained in the technical or commercial documentation of Aginode is indicative only and shall not be binding on Aginode or be treated as constituting a representation on the part of Aginode.