

# essential-OF 室内MT松套管光缆 LSZH 4-24芯 - 亚太地区

ESSENTIAL-OF MICRO TUBE CABLE 12F LSZH SINGLE MODE OS2 G.652.D 9/125 YELLOW

**Aginode Ref:** N274.MT12Y

- Micro Tube optical fiber cable
- Small, but mechanical strong cable
- Designed for splicing with pigtails
- 12 fibers

## Description and Application

The new Micro Tube technology from Aginode allows to manufacture a flexible and small tube. This Micro Tube is the central part of the new “Essential-OF Micro Tube Cable” design, it contains 4-24 fibers with a fiber diameter of 250 um. Termination of these fibers is done with splicing with pigtails. Aramid yarns provide additional strength and make the cable installer friendly. The combination of the Micro Tube technology and aramid yarns result in a mechanical robust, but also small and flexible cable. This makes it an optimized cable for datacenters and backbones. The small bending radius of the Essential-OF Micro Tube Cable makes the cable easy to arrange in patch panels, in cable trays and in ducts. The Essential-OF Micro Tube Cable complies with the indoor fire requirements. Since there is no drip effect of the very limited amount of gel the cable is optimized for both horizontal and vertical installations.

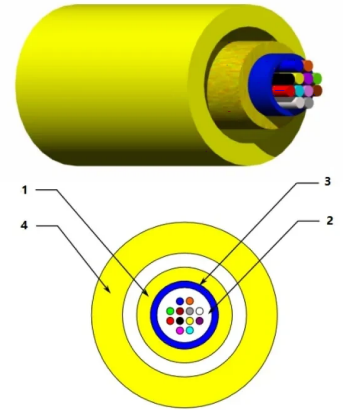
## Construction

Legend accompanying the cross-section drawing:

1. Aramid yarn
2. 250um fiber
3. Inner jacket
4. LSZH Outer Jacket

## Characteristics

- Micro Tube Cable design for easy installation
- Indoor cable for horizontal and vertical installations
- Fire retardant (IEC 60332-3-24)
- All dielectric design
- Designed for termination by splicing
- Aramid yarns for ease of handling and as strength element
- Available in 4, 6, 8, 12 and 24 fiber



## STANDARDS

ANSI/TIA-568-C.3  
IEC 60332-1  
IEC 60332-3-24 Cat.C  
IEC 60793-2-10  
ISO/IEC 11801

All drawings, designs, specifications, plans and particulars of weights, size and dimensions contained in the technical or commercial documentation of Aginode is indicative only and shall not be binding on Aginode or be treated as constituting a representation on the part of Aginode.

# essential-OF Micro Tube Cable 12F LSZH Single mode OS2 G.652.D 9/125 Yellow

## Characteristics

### 结构特性

颜色	黄
光纤类型	SM (G.652D)

### 尺寸特性

外径	4 mm
光纤数	12

### 机械特性

抗冲击性能(IEC 60794-1-E4)	100次冲击/ N.M
耐压(IEC 60794-1-E3)	1000 N/100mm
最大拉力(IEC 60794-1-2-E1)	440 N

### 使用特性

操作温度, 范围	-20...60 °C
最小弯曲半径 - 动态	74.0 mm
最小弯曲半径 - 静态	37 mm
存储温度范围	-20...60 °C
Installation temperature, range	0...60 °C