

Supporting Kits

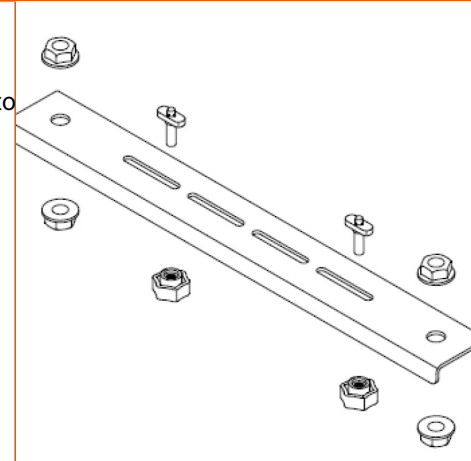
FIBREROUTE 240MM(9.45 INCH) MOUNTING BOTTOM BAR KIT

Aginode Ref: N350.003SMB2

Aginode Fibre Trunking System provides a dedicated pathway for fibre optic cables and cords to protect them from accidental damage. The system offers a flexible, high-capacity solution for data centre containment which is easy to install and reconfigure to meet future needs.

- Mounting kits available for various data centre installation environments
- Supporting Bar for Trapeze/hanging style mounting, can be use when the thread rod is already installed on site.

240mm(9.45 inch) Mounting Bottom Bar Kit includes crosspiece and screws . N350.003SMB2 is available for 240mm(9.45 inch) series. Distance between center of mounting holes on the crosspiece is 350mm(13.8"). Total length of the crosspiece is 400mm(15.75").



STANDARDS

EN 50173-5
ISO/IEC 24764

FIBREROUTE 240mm(9.45 inch) Mounting Bottom Bar Kit

Characteristics

结构特性

颜色	金属色
材料	钢

尺寸特性

近似净重量	2.2 kg
-------	--------

使用特性

操作温度, 范围	-25...60 °C
存储温度范围	-45...60 °C