

# Facade - Distribution Cable

## Facade - Distribution Cable

This cable is suitable for facade applications in combination with our Walldrop façade distribution box.

It contains 24 units from 1 to 4 fibres individually retractable for an in-line easy cabling.

Soft UV resistant outersheath allows easy mid-span access to the units.

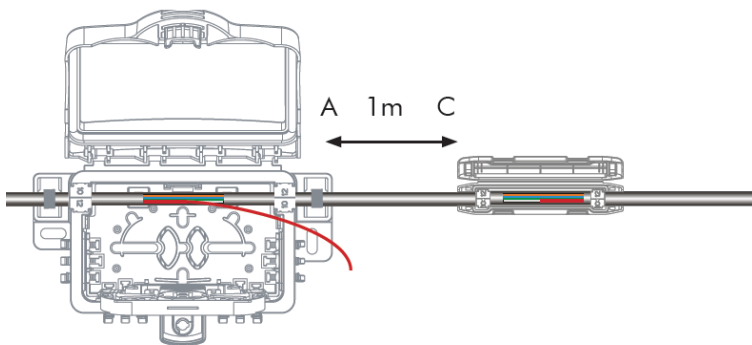
## Characteristics

- UV resistant LSZH outersheath
- Radial Strength Members (Fibre Reinforced Plastic)
- Fully dielectric
- Watertight
- Extractable Units (250µm fibre)
- Easy strippable fibre unit (30cm in one step)

## Marking

Aginode - SP1859 - FIBRE OPTIC CABLE - XG65X - FB - N°of - metric

## In-line usage - pullback solution



All drawings, designs, specifications, plans and particulars of weights, size and dimensions contained in the technical or commercial documentation of Aginode is indicative only and shall not be binding on Aginode or be treated as constituting a representation on the part of Aginode.

# Facade - Distribution Cable

## CHARACTERISTICS

### 结构特性

光纤类型	SM (G657.A2)
铠装类型	FRP
外护套	低烟无卤
不含金属	Yes
结构类型	多束管

### 尺寸特性

管数	24
近似重量	125 kg/km
光纤数	96
标称外径	11.8 mm

### 机械特性

操作时最大拉力负载	20.0 daN
抗冲击性能(IEC 60794-1-E4)	3次冲击/ N.M
允许牵引负载	50 daN
耐挤压 (IEC 794-1-E3)	50 N/cm

### 使用特性

操作温度, 范围	-30...60 °C
存储温度范围	-40...70 °C
安装类型	户外
环境安装温度, 范围	0...40 °C
敷设时弯曲系数	20 (xD)

## 销售和交付信息

### Marking

Aginode - SP1859 - FIBRE OPTIC CABLE - XG65X - FB - N°of - metric

## Product list

	Aginode ref.	Country ref.	Name
☎		-	Facade - Distribution Cable 96 fibres
☎		-	Facade - Distribution Cable 48 fibres

☎ = Make to order, 🏠 = In Stock

All drawings, designs, specifications, plans and particulars of weights, size and dimensions contained in the technical or commercial documentation of Aginode is indicative only and shall not be binding on Aginode or be treated as constituting a representation on the part of Aginode.