

#smartconnection



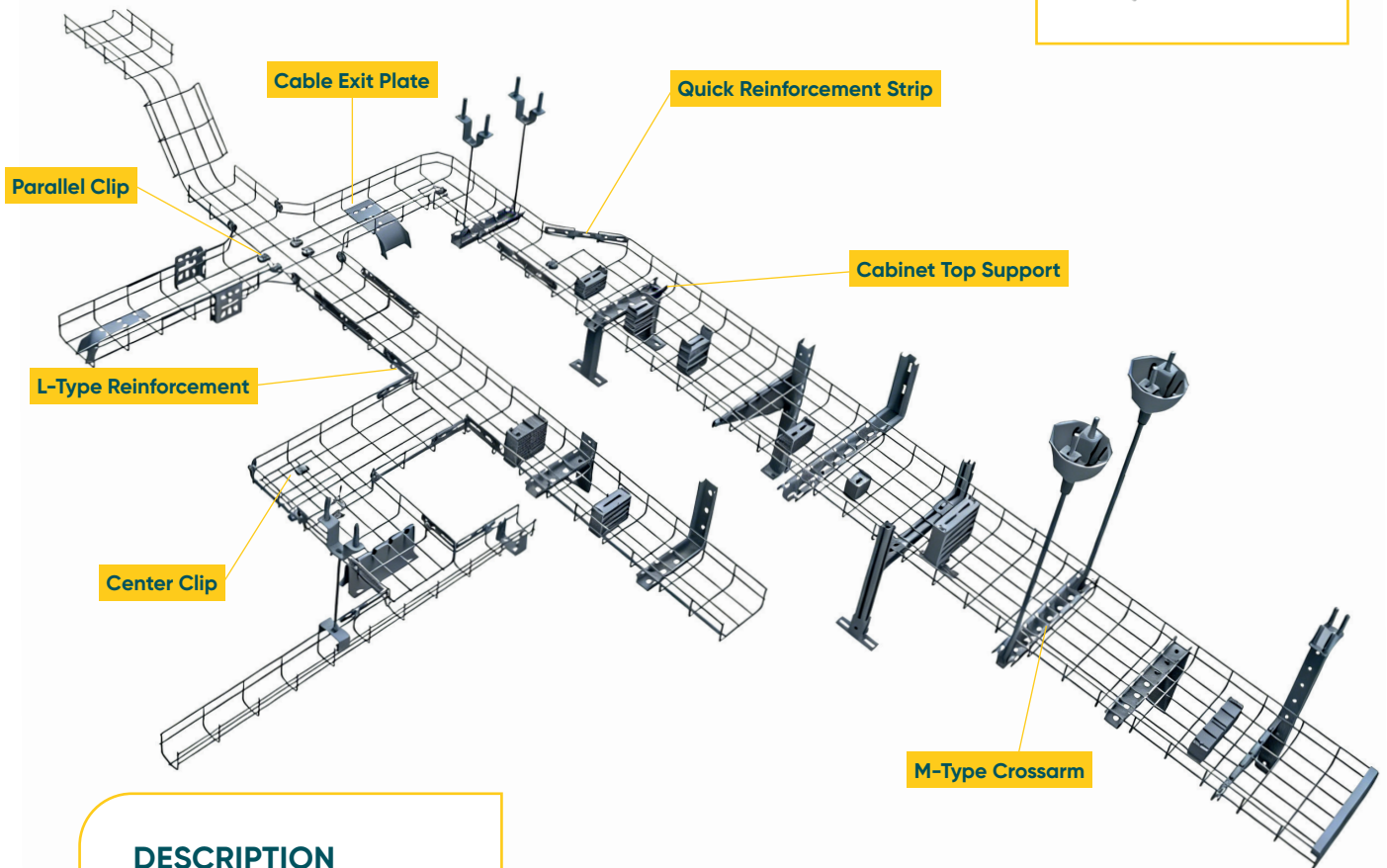
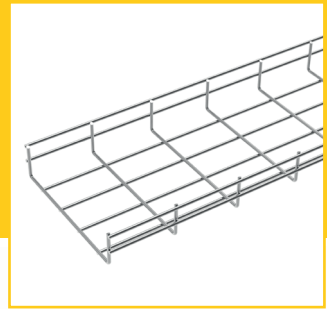
Wire Mesh Cable Tray

Reliable solution for
modern IT infrastructure needs

www.aginode.net



Wire Mesh Cable Tray



DESCRIPTION

Aginode wire mesh cable trays are designed with advanced sustainability in mind and are welded using high-strength steel bars. The electroplated finish provides a clean, professional aesthetic while ensuring the tray is suitable for open environments and provides effective protection for all cable products. Trays can be custom-cut to fit specific on-site installation requirements.

FEATURES

- 1 Enhanced Stability:** Features cross-welding for superior stability and reliability, providing robust physical protection for any operating environment.
- 2 High Strength:** Constructed with 5mm general-purpose steel bars to ensure maximum strength and compatibility with standard market demands.
- 3 Universal Design:** Utilizes a U-Type universal design for versatile applications and improved matching performance.
- 4 Extensive Variety:** Available in a wide range of specifications to meet customized requirements for any on-site environment.

STANDARD

IEC 61537

Ordering Information

	PART NUMBER	DESCRIPTIONS	PARAMETERS
	N380.150WG00EZ	Wire Mesh Cable Tray U Type, 150mm	<ul style="list-style-type: none"> • Default height: 100mm • Material: Stainless steel • Surface treatment: EZ (Electro-zinc) • Beveled ends for on-site construction safety • Horizontal bar spacing: 100mm • Vertical bar spacing: 50mm
	N380.200WG00EZ	Wire Mesh Cable Tray U Type, 200mm	
	N380.300WG00EZ	Wire Mesh Cable Tray U Type, 300mm	
	N380.400WG00EZ	Wire Mesh Cable Tray U Type, 400mm	
	N380.600WG00EZ	Wire Mesh Cable Tray U Type, 600mm	
	N380.150DP02A	M-Type Support for 150mm width	<ul style="list-style-type: none"> • Fixed with 4 hex nuts and 2 studs • Matching width: 100mm, 200mm, 300mm, 400mm, 600mm • Maximum threaded rod size: M12 • Tool-free tray fixing
	N380.200DP02A	M-Type Support for 200mm width	
	N380.300DP02A	M-Type Support for 300mm width	
	N380.400DP02A	M-Type Support for 400mm width	
	N380.600DP02A	M-Type Support for 600mm width	
	N380.150ZC01A	Cabinet Top Support for 150mm width	<ul style="list-style-type: none"> • Default height: 150mm • Includes 1 crossarm, 2 supports, and 2 sets of M8 hex bolts • Designed for cabinet top installation • Tool-free tray fixing
	N380.200ZC01A	Cabinet Top Support for 200mm width	
	N380.300ZC01A	Cabinet Top Support for 300mm width	
	N380.400ZC01A	Cabinet Top Support for 400mm width	
	N380.600ZC01A	Cabinet Top Support for 600mm width	
	N380.002LP01A	Parallel Clip	<ul style="list-style-type: none"> • Suitable for parallel installation of main wire mesh trays • Compatible with various steel bar diameters
	N380.002LP02A	Center Clip	<ul style="list-style-type: none"> • Suitable for corner connections • Supports various horizontal bending angles
	N380.002LP22A	Quick Reinforcement Strip	<ul style="list-style-type: none"> • Used for straight horizontal connections of identical tray models • Tool-free, fast, and reliable installation
	N380.002LP23A	L-Type Reinforcement Strip	<ul style="list-style-type: none"> • Used for horizontal T-junctions and right-angle tray connections
	N380.002EX90A	90mm Cable Exit Plate	<ul style="list-style-type: none"> • Large arc design for safe downward cable routing • Tool-free installation at any point along the tray

#smartconnection

Connect via LinkedIn

Visit www.aginode.net

Learn more on YouTube

Connect via Wechat



Contact us via
info@aginode.net

www.aginode.net

