

LIGHTDROP

LIGHTDROP L - TAP AND SPLITTER 1:8

Aginode Ref: LDSFLA08HQQHQ01SC01TDCDCNANANA

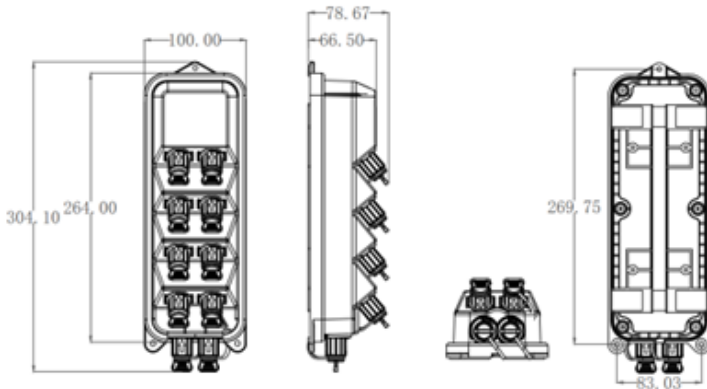
Featuring:

- 8 Hardened Quarter Turn (FastConnect compatible) front ports for customer connections (Ports 1 to 8).
- 2 Hardened Quarter Turn (FastConnect compatible) bottom ports for TAP IN and TAP OUT.
- Mounting bracket options for overlength cable storage.

Terminal max. attenuation*:

TAP ratio	TAP OUT	Splitter port
70% - 30%	2.3 dB	16.70 dB

*Total terminal attenuation, including insertion losses from pre-connectorization.



Aginode specification

All drawings, designs, specifications, plans and particulars of weights, size and dimensions contained in the technical or commercial documentation of Aginode is indicative only and shall not be binding on Aginode or be treated as constituting a representation on the part of Aginode.

LIGHTDROP L - TAP and Splitter 1:8

Characteristics

Construction characteristics

Colour	Black
Material	PP

Mechanical characteristics

IK Rating	8
-----------	---

Usage characteristics

Installation type	Outdoor
Operating temperature, range	-40...65 °C
Packaging	Box
RoHS compliant	Yes
U.V resistance	Yes
Watertightness	IP 68

ABS 1642 Ind.A .pdf pdf — 2.5 MB [Download](#) ↓