

LIGHTDROP

LIGHTDROP L - SPLITTER 1:8

Aginode Ref: LDSFLA08HQQNA01SC00NASTNANANA

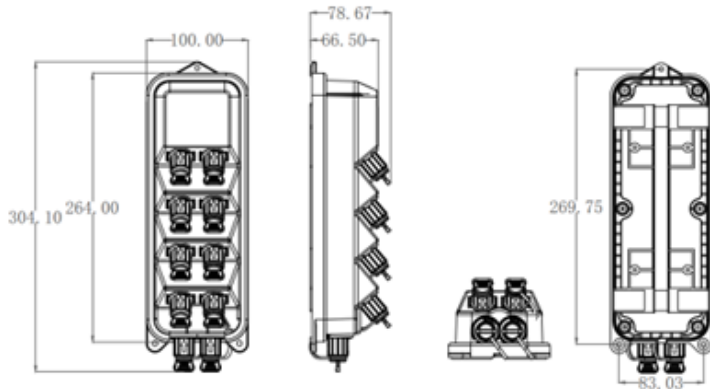
Featuring:

- 8 Hardened Quarter Turn (FastConnect compatible) front ports for customer connections (Ports 1 to 8).
- 1 Hardened Quarter Turn (FastConnect compatible) bottom port for splitter IN.
- Mounting bracket options for overlength cable storage.

Terminal max. attenuation*:

Splitter ratio	Splitter port
1:8	10.70 dB

*Total terminal attenuation, including insertion losses from pre-connectorization.



Aginode specification

All drawings, designs, specifications, plans and particulars of weights, size and dimensions contained in the technical or commercial documentation of Aginode is indicative only and shall not be binding on Aginode or be treated as constituting a representation on the part of Aginode.

LIGHTDROP L - Splitter 1:8

Characteristics

Construction characteristics

Colour	Black
Material	PP

Mechanical characteristics

IK Rating	8
-----------	---

Usage characteristics

Installation type	Outdoor
Operating temperature, range	-40...65 °C
Packaging	Box
RoHS compliant	Yes
U.V resistance	Yes
Watertightness	IP 68

ABS 1642 Ind.A .pdf pdf — 2.5 MB [Download](#) ↓