

LIGHTDROP



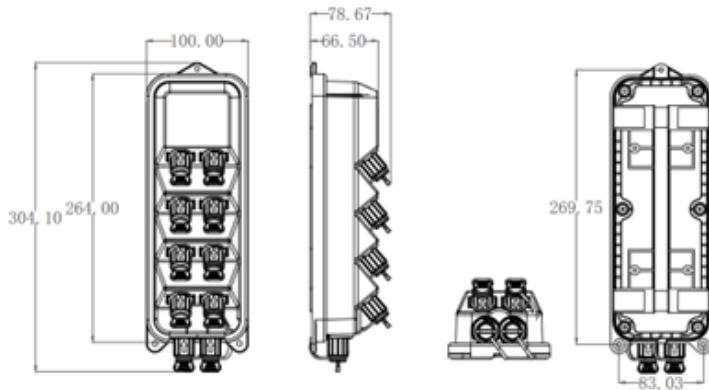
All drawings, designs, specifications, plans and particulars of weights, size and dimensions contained in the technical or commercial documentation of Aginode is indicative only and shall not be binding on Aginode or be treated as constituting a representation on the part of Aginode.

STANDARDS

Aginode specification

- Designed for outdoor use on poles, wall and underground
- Compatible with TAP and Splitters
- Hardened Quarter Turn connectivity (FastConnect compatible)
- Black colour

Pre-connectorized optical distribution box as the most advanced FTTX network distribution node equipment, provide quick and reliable connection, good protection and management for the FTTX network.



All drawings, designs, specifications, plans and particulars of weights, size and dimensions contained in the technical or commercial documentation of Aginode is indicative only and shall not be binding on Aginode or be treated as constituting a representation on the part of Aginode.

LIGHTDROP

CHARACTERISTICS

Construction characteristics

Colour Black

Material PP

Mechanical characteristics

IK Rating 8

Usage characteristics

Installation type Outdoor

Operating temperature, range -40...65 °C

Packaging Box

RoHS compliant Yes

U.V resistance Yes

Watertightness IP 68

Product list

| Aginode ref. | Country ref. | Name |
|--------------------------------|--------------|------------------------------------|
| LDSFLA08HQQHQA01SC00NASTNANANA | - | LIGHTDROP L - Splitter 1:8 |
| LDSFLA08HQQHQA01SC01TCDCNANANA | - | LIGHTDROP L - TAP and Splitter 1:8 |
| LDSFXS02HQQHQA00NA01TCNANANA | - | LIGHTDROP XS - TAP |
| LDSFSP08HQNANA04SD00NASTNANANA | - | LIGHTDROP SPLICE 08 |

☎ = Make to order, 📦 = In Stock