

Facade - Distribution Cable

Facade - Distribution Cable

This cable is suitable for facade applications in combination with our Walldrop façade distribution box.

It contains 24 units from 1 to 4 fibres individually retractable for an in-line easy cabling.

Soft UV resistant outersheath allows easy mid-span access to the units.

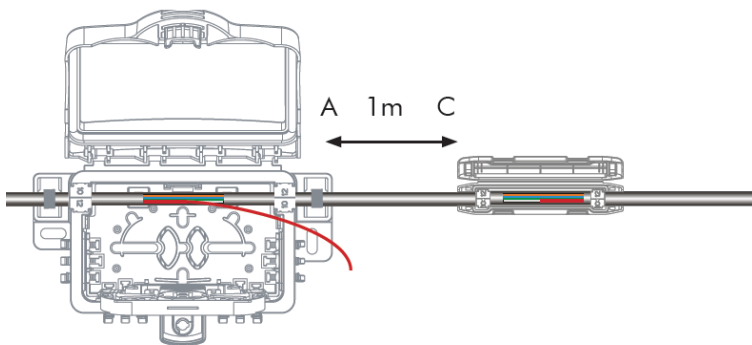
Characteristics

- UV resistant LSZH outersheath
- Radial Strength Members (Fibre Reinforced Plastic)
- Fully dielectric
- Watertight
- Extractable Units (250µm fibre)
- Easy strippable fibre unit (30cm in one step)

Marking

Aginode - SP1859 - FIBRE OPTIC CABLE - XG65X - FB - N°of - metric

In-line usage - pullback solution



All drawings, designs, specifications, plans and particulars of weights, size and dimensions contained in the technical or commercial documentation of Aginode is indicative only and shall not be binding on Aginode or be treated as constituting a representation on the part of Aginode.

Facade - Distribution Cable

CHARACTERISTICS

구조적 특성

Fiber optic type	SM (G657.A2)
Armour type	FRP
피복	저연 할로겐 프리
Metal free	Yes
구조	멀티 번들 튜브

치수

Number of tubes	24
무게(근사치)	125 kg/km
Number of optical fibres	96
Nominal outer diameter (mm)	11.8 mm

기계적 특성

Maximum tensile load during service (Tl)	20.0 daN
Mechanical resistance to impacts (IEC 60794-1-E4)	3 impacts of 5 N.m
Maximum admissible traction load (Tm)	50 daN
Crush resistance (IEC 60794-1-E3)	50 N/cm

사용 특성

操作温度范围	-30...60 °C
Storage temperature, range	-40...70 °C
Installation type	Outdoor
Ambient installation temperature, range	0...40 °C
Bending factor when laying	20 (xD)

판매 및 배송 정보

Marking

Aginode - SP1859 - FIBRE OPTIC CABLE - XG65X - FB - N°of - metric

Product list

	Aginode ref.	Country ref.	이름
☎		-	Facade - Distribution Cable 96 fibres
☎		-	Facade - Distribution Cable 48 fibres

☎ = Make to order, 📦 = In Stock

All drawings, designs, specifications, plans and particulars of weights, size and dimensions contained in the technical or commercial documentation of Aginode is indicative only and shall not be binding on Aginode or be treated as constituting a representation on the part of Aginode.