

Pre-Connectorized Drop Cable (PCDC)

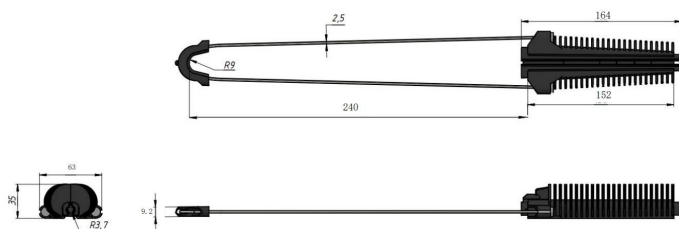
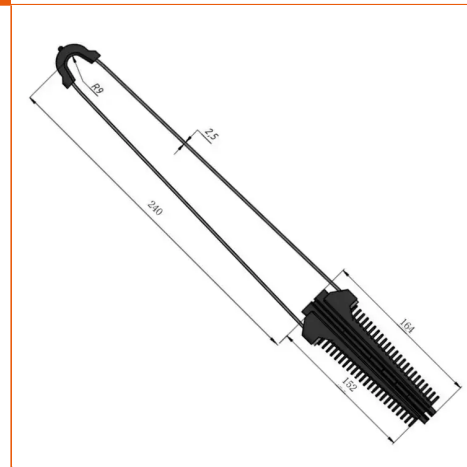
AERIAL CLAMP PA350

Aginode Ref: Aerial Clamp PA350

Can be used for both round and flat cables

Anti UV PA66 with glassfiber and SS 201 string

Minimum breaking load: 3KN



All drawings, designs, specifications, plans and particulars of weights, size and dimensions contained in the technical or commercial documentation of Aginode is indicative only and shall not be binding on Aginode or be treated as constituting a representation on the part of Aginode.