

LIGHTDROP

LIGHTDROP XS - TAP

Aginode Ref: LDSFXS02HQHQ00NA01TCNANANA

Featuring:

- 1 Hardened Quarter Turn (FastConnect compatible) top TAP IN port.
- 2 Hardened Quarter Turn (FastConnect compatible) bottom ports for SPLITTER OUT and TAP OUT.
- Mounting bracket options.

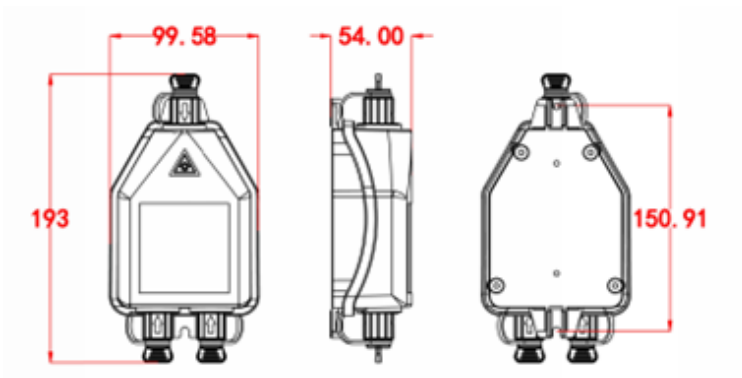
Terminal max. attenuation*:

TAP ratio	TAP OUT	Splitter port
70% - 30%	2.10 dB	6.10 dB

*Total terminal attenuation, including insertion losses from pre-connectorization.



Aginode specification



All drawings, designs, specifications, plans and particulars of weights, size and dimensions contained in the technical or commercial documentation of Aginode is indicative only and shall not be binding on Aginode or be treated as constituting a representation on the part of Aginode.

LIGHTDROP XS - TAP

Characteristics

Construction characteristics

Colour	Black
Material	PP

Mechanical characteristics

IK Rating	8
-----------	---

Usage characteristics

Installation type	Outdoor
Operating temperature, range	-40...65 °C
Packaging	Box
RoHS compliant	Yes
U.V resistance	Yes
Watertightness	IP 68