

# Facade - Distribution Cable

## FACADE - DISTRIBUTION CABLE 96 FIBRES

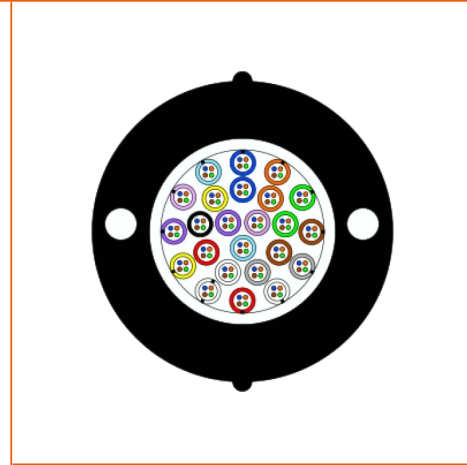
Facade - Distribution Cable 96 fibres

This cable SP1998 is suitable for facade applications in combination with our Walldrop façade distribution box.

It contains 24 units individually retractable for an in-line easy cabling.

Each unit contains 4 fibres.

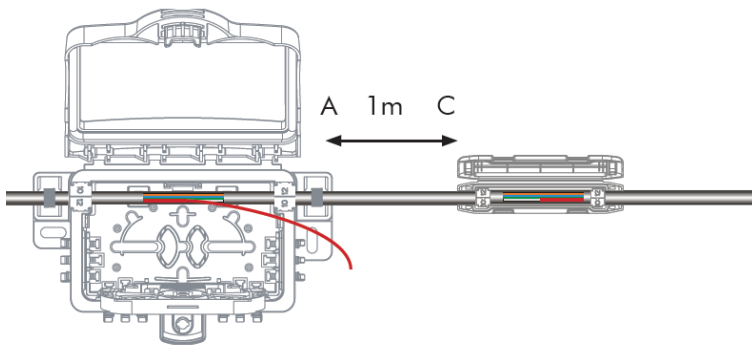
Soft UV resistant outersheath allows easy mid-span access to the units.



## Characteristics

- UV resistant LSZH outersheath
- Radial Strength Members (Fibre Reinforced Plastic)
- Fully dielectric
- Watertight
- Extractible units containing 4 fibres @ 250µm
- Easy strippable fibre unit (30cm in one step)

## In-line usage - pullback solution



*All drawings, designs, specifications, plans and particulars of weights, size and dimensions contained in the technical or commercial documentation of Aginode is indicative only and shall not be binding on Aginode or be treated as constituting a representation on the part of Aginode.*

# Facade - Distribution Cable 96 fibres

## Characteristics

### Construction characteristics

Fiber optic type	SM (G657.A2)
Armour type	FRP
Outer sheath	LSZH
Metal free	Yes
Construction type	Multibundle

### Dimensional characteristics

Number of tubes	24
Approximate weight	125 kg/km
Number of optical fibres	96
Nominal outer diameter (mm)	11.8 mm

### Mechanical characteristics

Maximum tensile load during service (Tl)	20.0 daN
Mechanical resistance to impacts (IEC 60794-1-E4)	3 impacts of 5 N.m
Maximum admissible traction load (Tm)	50 daN
Crush resistance (IEC 60794-1-E3)	50 N/cm

### Usage characteristics

Operating temperature, range	-30...60 °C
Storage temperature, range	-40...70 °C
Installation type	Outdoor
Ambient installation temperature, range	0...40 °C
Bending factor when laying	20 (xD)

## ドキュメンテーション

Leaflet Facade solution\_En.pdf pdf — 4.29 MB [ダウンロード](#) ↓

## 販売および配送情報

All drawings, designs, specifications, plans and particulars of weights, size and dimensions contained in the technical or commercial documentation of Aginode is indicative only and shall not be binding on Aginode or be treated as constituting a representation on the part of Aginode.

## Marking

Aginode - SP1859 - FIBRE OPTIC CABLE - XG65X - FB - N°of - metric

*All drawings, designs, specifications, plans and particulars of weights, size and dimensions contained in the technical or commercial documentation of Aginode is indicative only and shall not be binding on Aginode or be treated as constituting a representation on the part of Aginode.*