

240 System(9.45 Inch)

FIBREROUTE 240MM(9.45 INCH) 45° VERTICAL INTERNAL BEND COVER

Aginode Ref: N350.240FA31A

Aginode Fibre Trunking System provides a dedicated pathway for fibre optic cables and cords to protect them from accidental damage. The system offers a flexible, high-capacity solution for data centre containment which is easy to install and reconfigure to meet future needs.

- Pathway system designed for accommodation of data centre fibre cables
- Free of sharp edges
- Quick connect system with a wide range of fixtures and fittings
- High capacity pathway accommodating large volumes of cables with space for future expansion
- Cover for 240mm Internal bends
- Aluminium

The Aginode Fibre Trunking System provides a dedicated pathway through data centre spaces and IT facilities for routing fibre cables.

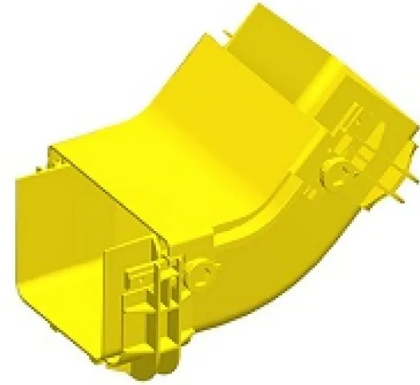
The rigid channel with matching cover protects fibre optic cables from damage.

All components of the system are made of tough, fire retardant materials.

The system components have a smooth inner surface to ensure a safe path for fibre optic cables and feature internal radius management to facilitate the maintenance of bend radii for cables and patch cords.

The Covers for Vertical Bends are used to provide protection against dust and falling items.

All components of the system including the covers can be installed and uninstalled without special tools.



STANDARDS

EN 50173-5
ISO/IEC 24764

FIBREROUTE 240mm(9.45 Inch) 45° Vertical Internal Bend Cover

Characteristics

Construction characteristics

Colour	Yellow
Material	Steel

Dimensional characteristics

Length	2000 mm
Approximate net weight	0.3 kg

Usage characteristics

Operating temperature, range	-25...60 °C
Storage temperature, range	-45...60 °C