

Facade - Distribution Cable

Facade - Distribution Cable

This cable is suitable for facade applications in combination with our Walldrop façade distribution box.

It contains 24 units from 1 to 4 fibres individually retractable for an in-line easy cabling.

Soft UV resistant outersheath allows easy mid-span access to the units.

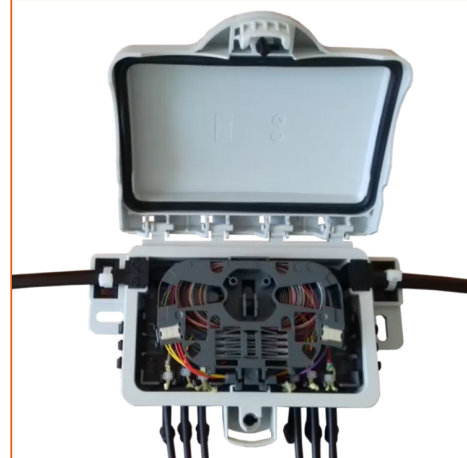
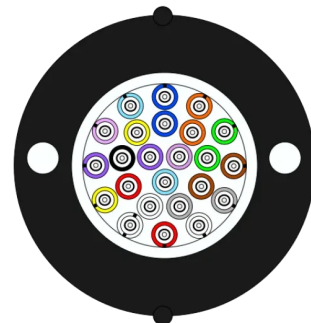
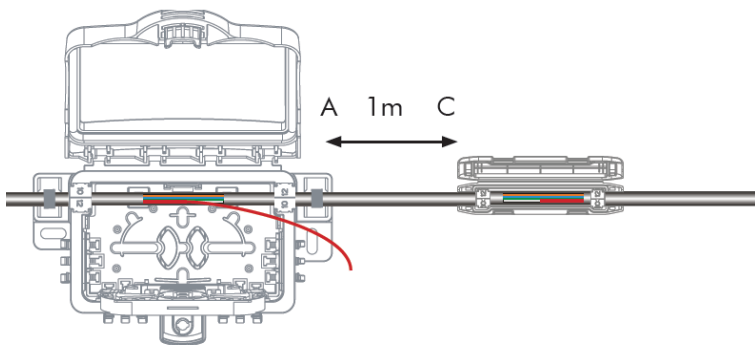
Characteristics

- UV resistant LSZH outersheath
- Radial Strength Members (Fibre Reinforced Plastic)
- Fully dielectric
- Watertight
- Extractable Units (250µm fibre)
- Easy strippable fibre unit (30cm in one step)

Marking

Aginode - SP1859 - FIBRE OPTIC CABLE - XG65X - FB - N°of - metric

In-line usage - pullback solution



All drawings, designs, specifications, plans and particulars of weights, size and dimensions contained in the technical or commercial documentation of Aginode is indicative only and shall not be binding on Aginode or be treated as constituting a representation on the part of Aginode.

Facade - Distribution Cable

CHARACTERISTICS

Construction characteristics

| | |
|-------------------|--------------|
| Fiber optic type | SM (G657.A2) |
| Armour type | FRP |
| Outer sheath | LSZH |
| Metal free | Yes |
| Construction type | Multibundle |

Dimensional characteristics

| | |
|-----------------------------|-----------|
| Number of tubes | 24 |
| Approximate weight | 125 kg/km |
| Number of optical fibres | 96 |
| Nominal outer diameter (mm) | 11.8 mm |

Mechanical characteristics

| | |
|---|--------------------|
| Maximum tensile load during service (Tl) | 20.0 daN |
| Mechanical resistance to impacts (IEC 60794-1-E4) | 3 impacts of 5 N.m |
| Maximum admissible traction load (Tm) | 50 daN |
| Crush resistance (IEC 60794-1-E3) | 50 N/cm |

Usage characteristics

| | |
|---|-------------|
| Operating temperature, range | -30...60 °C |
| Storage temperature, range | -40...70 °C |
| Installation type | Outdoor |
| Ambient installation temperature, range | 0...40 °C |
| Bending factor when laying | 20 (xD) |

販売および配送情報

Marking

Aginode - SP1859 - FIBRE OPTIC CABLE - XG65X - FB - N°of - metric

Product list

| | Aginode ref. | Country ref. | 名前 |
|---|--------------|--------------|---------------------------------------|
| ☎ | | - | Facade - Distribution Cable 96 fibres |
| ☎ | | - | Facade - Distribution Cable 48 fibres |

☎ = Make to order, 🏠 = In Stock

All drawings, designs, specifications, plans and particulars of weights, size and dimensions contained in the technical or commercial documentation of Aginode is indicative only and shall not be binding on Aginode or be treated as constituting a representation on the part of Aginode.