

LIGHTDROP

LIGHTDROP SPLICE 08

Aginode Ref: LDSFSP08HQNANA04SD00NASTNANANA

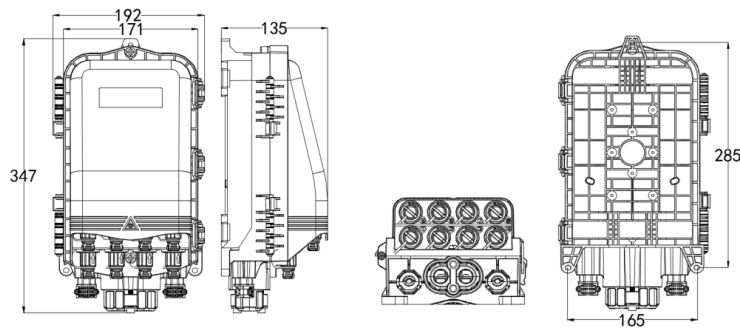
Featuring:

- 8 Hardened Quarter Turn (FastConnect compatible) bottom ports for branch connections.
- 48 fibres splicing capacity.
- 1 oval optical cable entry up to 18mm.
- 2 branch optical cable entries and up to 14mm.
- Integration of optical splitters (i.e. 4 splitters 1:2 or 2:2).
- Othre splice trays and optical splitter configurations available.
- Mounting bracket options for overlenght cable storage.

Terminal max. attenuation*:

Splitter ratio	Output
1:8	4.20 dB
2:8	4.50 dB

*Total terminal attenuation, including insertion losses from pre-connectorization.



Aginode specification

All drawings, designs, specifications, plans and particulars of weights, size and dimensions contained in the technical or commercial documentation of Aginode is indicative only and shall not be binding on Aginode or be treated as constituting a representation on the part of Aginode.

LIGHTDROP SPLICE 08

Caractéristiques

Caractéristiques de construction

Couleur	Noir
Matériau	PP

Caractéristiques mécaniques

Résistance aux chocs IK	8
-------------------------	---

Caractéristiques d'utilisation

Type d'installation	Extérieur
Température ambiante d'utilisation, plage	-40...65 °C
Conditionnement	Carton
RoHS compliant	Yes
Tenue aux UV	Oui
Étanchéité	IP 68