

# LIGHTDROP

## LIGHTDROP XS - TAP

**Aginode Ref:** LDSFXS02HQHQ00NA01TCNANANA

Featuring:

- 1 Hardened Quarter Turn (FastConnect compatible) top TAP IN port.
- 2 Hardened Quarter Turn (FastConnect compatible) bottom ports for SPLITTER OUT and TAP OUT.
- Mounting bracket options.

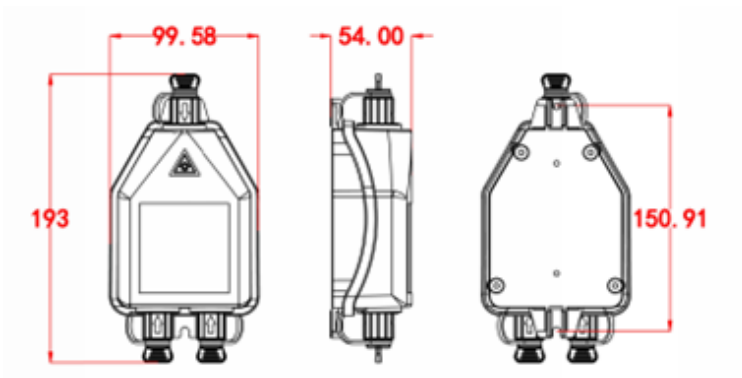
### Terminal max. attenuation\*:

TAP ratio	TAP OUT	Splitter port
70% - 30%	2.10 dB	6.10 dB

\*Total terminal attenuation, including insertion losses from pre-connectorization.



Aginode specification



All drawings, designs, specifications, plans and particulars of weights, size and dimensions contained in the technical or commercial documentation of Aginode is indicative only and shall not be binding on Aginode or be treated as constituting a representation on the part of Aginode.

# LIGHTDROP XS - TAP

## Caractéristiques

### Caractéristiques de construction

Couleur	Noir
Matériau	PP

### Caractéristiques mécaniques

Résistance aux chocs IK	8
-------------------------	---

### Caractéristiques d'utilisation

Type d'installation	Extérieur
Température ambiante d'utilisation, plage	-40...65 °C
Conditionnement	Carton
RoHS compliant	Yes
Tenue aux UV	Oui
Étanchéité	IP 68