

# LIGHTDROP

## LIGHTDROP L - TAP AND SPLITTER 1:8

**Aginode Ref:** LDSFLA08HQQHQ01SC01TDCDCNANANA

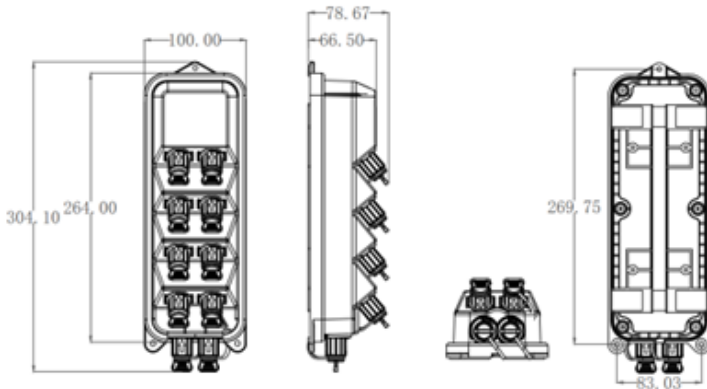
Featuring:

- 8 Hardened Quarter Turn (FastConnect compatible) front ports for customer connections (Ports 1 to 8).
- 2 Hardened Quarter Turn (FastConnect compatible) bottom ports for TAP IN and TAP OUT.
- Mounting bracket options for overlength cable storage.

### Terminal max. attenuation\*:

TAP ratio	TAP OUT	Splitter port
70% - 30%	2.3 dB	16.70 dB

\*Total terminal attenuation, including insertion losses from pre-connectorization.



Aginode specification

All drawings, designs, specifications, plans and particulars of weights, size and dimensions contained in the technical or commercial documentation of Aginode is indicative only and shall not be binding on Aginode or be treated as constituting a representation on the part of Aginode.

# LIGHTDROP L - TAP and Splitter 1:8

## Caractéristiques

### Caractéristiques de construction

Couleur	Noir
Matériau	PP

### Caractéristiques mécaniques

Résistance aux chocs IK	8
-------------------------	---

### Caractéristiques d'utilisation

Type d'installation	Extérieur
Température ambiante d'utilisation, plage	-40...65 °C
Conditionnement	Carton
RoHS compliant	Yes
Tenue aux UV	Oui
Étanchéité	IP 68