

LIGHTDROP

LIGHTDROP L - SPLITTER 1:8

Aginode Ref: LDSFLA08HQQNA01SC00NASTNANANA

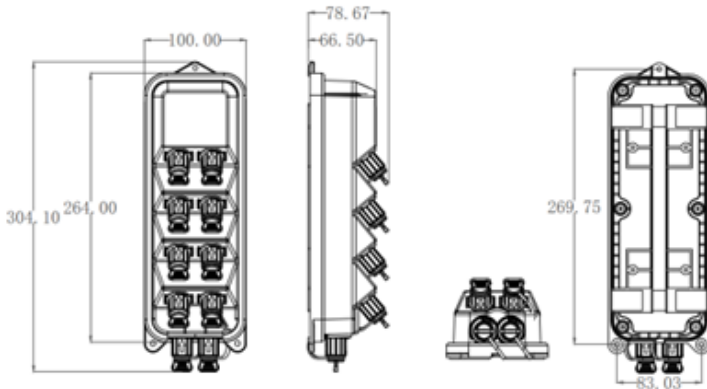
Featuring:

- 8 Hardened Quarter Turn (FastConnect compatible) front ports for customer connections (Ports 1 to 8).
- 1 Hardened Quarter Turn (FastConnect compatible) bottom port for splitter IN.
- Mounting bracket options for overlenght cable storage.

Terminal max. attenuation*:

| Splitter ratio | Splitter port |
|----------------|---------------|
| 1:8 | 10.70 dB |

*Total terminal attenuation, including insertion losses from pre-connectorization.



Aginode specification

LIGHTDROP L - Splitter 1:8

Eigenschaften

Konstruktionsmerkmale

| | |
|-----------|---------|
| Farbe | Schwarz |
| Werkstoff | PP |

Mechanische Eigenschaften

| | |
|--------------|---|
| IK-Bewertung | 8 |
|--------------|---|

Anwendungsmerkmale

| | |
|----------------------|-------------|
| Art der Installation | Outdoor |
| Betriebstemperatur | -40...65 °C |
| Verpackung | Box |
| RoHS compliant | Yes |
| UV Beständigkeit | Ja |
| Watertightness | IP 68 |