

Facade - Distribution Cable

FACADE - DISTRIBUTION CABLE 96 FIBRES

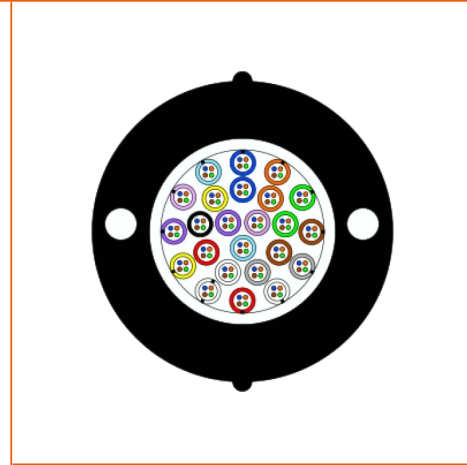
Facade - Distribution Cable 96 fibres

This cable SP1998 is suitable for facade applications in combination with our Walldrop façade distribution box.

It contains 24 units individually retractable for an in-line easy cabling.

Each unit contains 4 fibres.

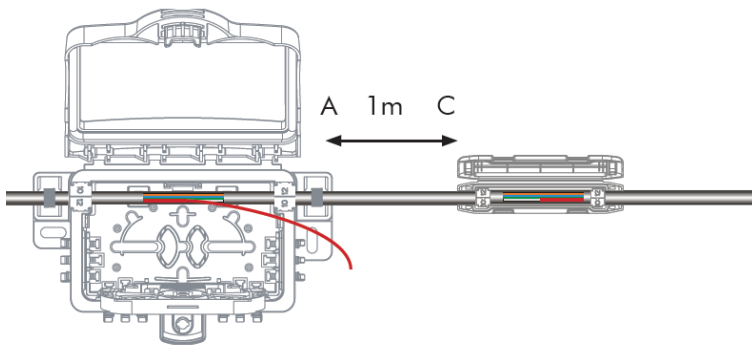
Soft UV resistant outersheath allows easy mid-span access to the units.



Characteristics

- UV resistant LSZH outersheath
- Radial Strength Members (Fibre Reinforced Plastic)
- Fully dielectric
- Watertight
- Extractible units containing 4 fibres @ 250µm
- Easy strippable fibre unit (30cm in one step)

In-line usage - pullback solution



All drawings, designs, specifications, plans and particulars of weights, size and dimensions contained in the technical or commercial documentation of Aginode is indicative only and shall not be binding on Aginode or be treated as constituting a representation on the part of Aginode.

Facade - Distribution Cable 96 fibres

Eigenschaften

Konstruktionsmerkmale

Fasertyp	SM (G657.A2)
Armierung	FRP
Außenmantel	LSZH
Metallfrei	Yes
Leitungsaufbau	Multibundle

Abmessungsmerkmale

Anzahl der Bündel	24
Nettogewicht ca.	125 kg/km
Anzahl der optischen Fasern	96
Außendurchmesser, nom.	11.8 mm

Mechanische Eigenschaften

Maximale Zuglast bei Betrieb	20.0 daN
Mechanical resistance to impacts (IEC 60794-1-E4)	3 impacts of 5 N.m
Zulässige Zugbelastbarkeit	50 daN
Querdruckwiderstand (IEC 794-1-E3)	50 N/cm

Anwendungsmerkmale

Betriebstemperatur	-30...60 °C
Lagertemperatur, Bereich	-40...70 °C
Art der Installation	Outdoor
Umgebungstemperatur bei Verlegung, Bereich	0...40 °C
Biegefaktor bei Verlegung	20 (xD)

Dokumentation

Leaflet Facade solution_En.pdf pdf — 4.29 MB [Herunterladen](#) ↓

Verkauf & Lieferung Informationen

All drawings, designs, specifications, plans and particulars of weights, size and dimensions contained in the technical or commercial documentation of Aginode is indicative only and shall not be binding on Aginode or be treated as constituting a representation on the part of Aginode.

Marking

Aginode - SP1859 - FIBRE OPTIC CABLE - XG65X - FB - N°of - metric

All drawings, designs, specifications, plans and particulars of weights, size and dimensions contained in the technical or commercial documentation of Aginode is indicative only and shall not be binding on Aginode or be treated as constituting a representation on the part of Aginode.