

Supporting Kits

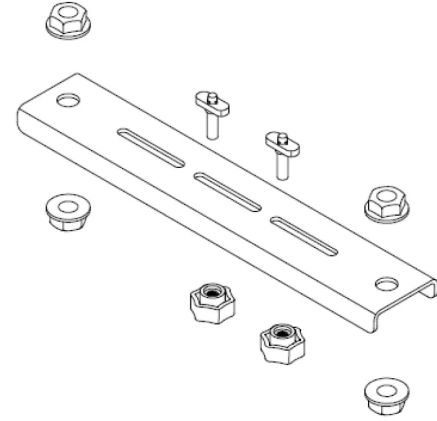
FIBREROUTE 120MM(4.75 INCH) MOUNTING BOTTOM BAR KIT

Aginode Ref: N350.003SMB1

Aginode Fibre Trunking System provides a dedicated pathway for fibre optic cables and cords to protect them from accidental damage. The system offers a flexible, high-capacity solution for data centre containment which is easy to install and reconfigure to meet future needs.

- Mounting kits available for various data centre installation environments
- Supporting Bar for Trapeze/hanging style mounting, can be use when the thread rod is already installed on site.

120mm(4.75 inch) Mounting Bottom Bar Kit includes crosspiece and screws . N350.003SMB2 is available for 120mm(4.75 inch) series. Distance between center of mounting holes on the crosspiece is 250mm(9.85"). Total length of the crosspiece is 300mm(12").



STANDARDS

EN 50173-5
ISO/IEC 24764

FIBREROUTE 120mm(4.75 inch) Mounting Bottom Bar Kit

Eigenschaften

Konstruktionsmerkmale

Farbe	Metallic
Werkstoff	Steel

Abmessungsmerkmale

Nettogewicht, ca.	1.8 kg
-------------------	--------

Anwendungsmerkmale

Betriebstemperatur	-25...60 °C
Lagertemperatur, Bereich	-45...60 °C