

# Supporting Kits

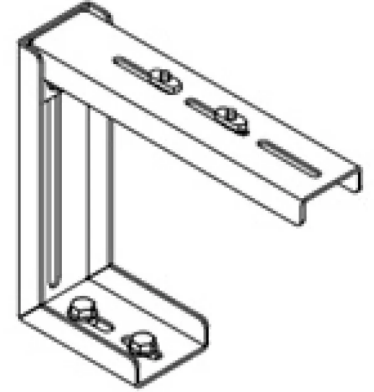
## FIBREROUTE 120MM(4.75 INCH) CABINET/RACK MOUNTING KIT

**Aginode Ref:** N350.003SMR1

Aginode Fibre Trunking System provides a dedicated pathway for fibre optic cables and cords to protect them from accidental damage. The system offers a flexible, high-capacity solution for data centre containment which is easy to install and reconfigure to meet future needs.

- Mounting kits available for various data centre installation environments
- Mounting on top of the Cabinet/Rack
- Adjustable according to cabinet height

Cable Tray mounting kit includes supporting bottom, screws . N350.003SMR1 is available for 120mm(4.75 inch) series. The bottom height can be adjustable from 53mm(2.08") to 200mm(7.87").



### STANDARDS

EN 50173-5  
ISO/IEC 24764

# FIBREROUTE 120mm(4.75 inch) Cabinet/Rack Mounting Kit

## Eigenschaften

### Konstruktionsmerkmale

Farbe	Metallic
Werkstoff	Steel

### Abmessungsmerkmale

Nettogewicht, ca.	1.5 kg
-------------------	--------

### Anwendungsmerkmale

Betriebstemperatur	-25...60 °C
Lagertemperatur, Bereich	-45...60 °C