

120 System (4.75 inch)

FIBREROUTE 120MM(4.75 INCH) 45° VERTICAL INTERNAL BEND COVER

Aginode Ref: N350.120FA31A

Aginode Fibre Trunking System provides a dedicated pathway for fibre optic cables and cords to protect them from accidental damage. The system offers a flexible, high-capacity solution for data centre containment which is easy to install and reconfigure to meet future needs.

- Pathway system designed for accommodation of data centre fibre cables
- Free of sharp edges
- Quick connect system with a wide range of fixtures and fittings
- High capacity pathway accommodating large volumes of cables with space for future expansion
- Cover for Internal bends
- Aluminium

The Aginode Fibre Trunking System provides a dedicated pathway through data centre spaces and IT facilities for routing fibre cables.

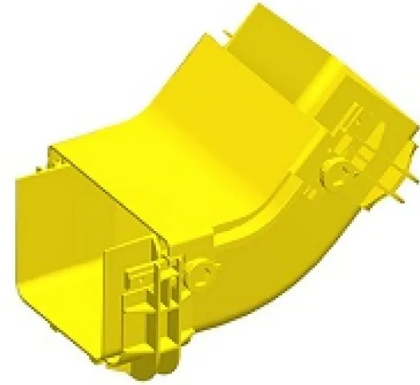
The rigid channel with matching cover protects fibre optic cables from damage.

All components of the system are made of tough, fire retardant materials.

The system components have a smooth inner surface to ensure a safe path for fibre optic cables and feature internal radius management to facilitate the maintenance of bend radii for cables and patch cords.

The Covers for Vertical Bends are used to provide protection against dust and falling items.

All components of the system including the covers can be installed and uninstalled without special tools.



STANDARDS

EN 50173-5
ISO/IEC 24764

All drawings, designs, specifications, plans and particulars of weights, size and dimensions contained in the technical or commercial documentation of Aginode is indicative only and shall not be binding on Aginode or be treated as constituting a representation on the part of Aginode.

FIBREROUTE 120mm(4.75 inch) 45° Vertical Internal Bend Cover

Eigenschaften

Konstruktionsmerkmale

Werkstoff	Steel
Farbe	Gelb

Abmessungsmerkmale

Nettogewicht, ca.	0.2 kg
Länge	170 mm

Anwendungsmerkmale

Lagertemperatur, Bereich	-45...60 °C
Betriebstemperatur	-25...60 °C